

HBA—YSB系列霍尔电流传感器

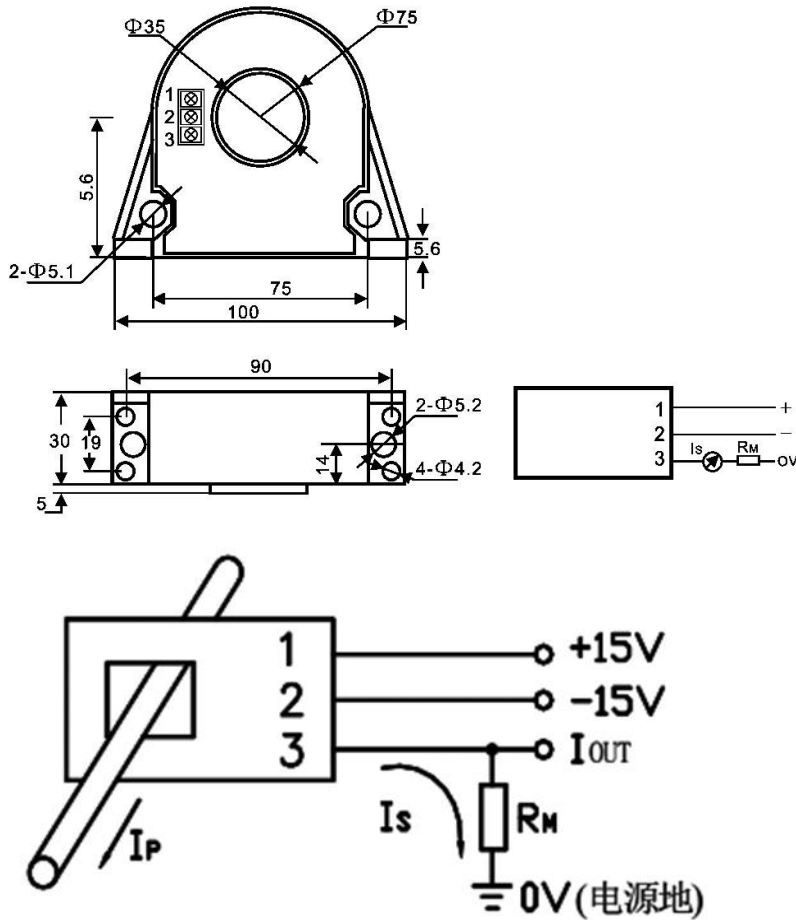
(HBA-YSB Hall-effect Current Sensor Series)

HBA-YSB 系列霍尔电流传感器的初、次级之间是绝缘的，可用于测量直流、交流和脉冲电流。
(HBA-YSB Series Hall-effect Current Sensor between primary and secondary is insulated, can be used for the measurement of DC, AC and pulse current)

电气参数 (Electrical characteristics)				
	型号 Type	HBA300-YSB	HBA500-YSB	
I _{pn}	额定输入电流 Rated input	300	500	A
I _{pm}	测量电流范围 Measuring range	600	1000	A
R _m	测量电阻 Measuring resistance			Ω
	@±15V	@±300Amax 110(max)	@±500Amax 100(max)	Ω
		@±600Amax 36(max)	@±1000Amax 25(max)	Ω
	@±18V	@±300Amax 130(max)	@±500Amax 120(max)	Ω
		@±600Amax 51(max)	@±1000Amax 39(max)	Ω
K _N	匝比 Turns ratio	1: 3000	1: 5000	
I _{out}	输出电流 Rated output current	100	100	mA
R _s	次级线圈内阻 Secondary coil resistance	31	50	Ω
I _o	零电流失调 Zero offset current	<0.2		mA
V _c	供电电源 Supply voltage	±15±5%		V
I _c	静态功耗 Current	≤25+I _{out}		mA

	consumption			
Iot	零点温漂 Thermal drift of Io	-40~+85℃	±0.5	mA
F	带宽 Frequency bandwidth(-3dB)	DC~100		KHz
ε G	精度 Accuracy	±0.5 (±0.2 可选)		%
ε L	线性度 Linearity	±0.1		%
di/dt	跟随精度 Accurately followed	>200		A/μS
Tr	响应时间 Response time	≤1		μS
Vd	绝缘电压 Insulation voltage	6.0		KV
Ta	工作温度 Ambient operating temperature	-40~+85		℃
Ts	储存温度 Ambient storage temperature	-40~+125		℃
M	重量 mass	280		g
	标准 Standards	EN50178\IEC61010-1\UL94-Vo\ROHS		

机械参数 Dimensions (mm)



端子标准: 3.52mm, 3pin 接线式连接器

引脚说明: 1, +15V 2, -15V 3, I_{OUT}

使用说明 Remarks

- 1、应用: 通讯电源、不间断电源UPS、斩波器、电化学、整流、电源监测、电焊机、变频、开关电源、电池监测、电动机监测等领域。Application: communication power supply, uninterruptible power supply UPS chopper, electrochemical, rectifier, power monitoring, welding machines, inverter, switching power supply, battery monitoring, motor monitoring fields.
- 2、传感器的输出幅度可根据用户需要进行适当调节。The amplitude of the output of the sensor can be appropriately adjusted according to user needs.
- 3、可按用户需求定制不同额定输入电流和输出电压的传感器。Custom different rated input current and the output voltage of the sensor.