

## HAV100-1500系列电压传感器

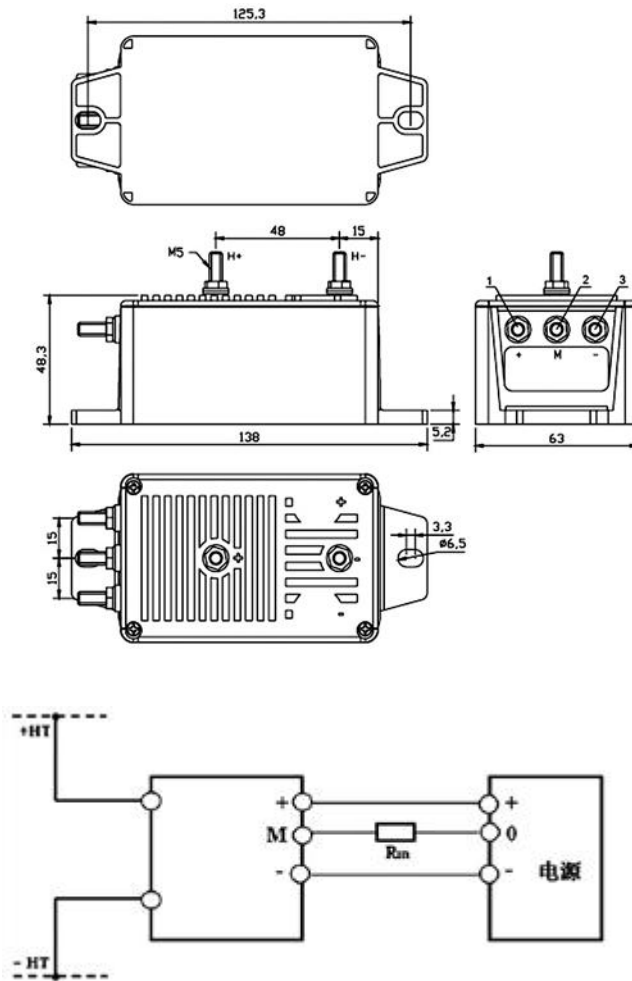
### (HAV100-1500 voltage Sensor Series)

HAV100-1500 系列电压传感器的初、次级之间是绝缘的，可用于测量直流、交流和脉冲电压。  
(HAV100-1500 Series voltage Sensor between primary and secondary is insulated, can be used for the measurement of DC, AC and pulse voltage)

电气参数 (Electrical characteristics)							
	型号 Type	HAV100-150	HAV100-250	HAV100-500	HAV100-1000	HAV100-1500	
V <sub>pn</sub>	额定输入电压 Rated input	150	250	500	1000	1500	V
V <sub>pm</sub>	测量电压范围 Measuring range	225	375	750	1500	2250	V
R <sub>i</sub>	输入阻抗 Input impedance	6					MΩ
R <sub>m</sub>	测量电阻 Measuring resistance	±15V V <sub>pn</sub> ±24V V <sub>pn</sub>		0(min) 50(max) 0(min) 180(max)		Ω	
I <sub>out</sub>	额定输出电流 Rated output current	50					mA
I <sub>o</sub>	零电流失调 Zero offset current	<0.15					mA
V <sub>c</sub>	电源电压 Supply voltage	±15~24(±5%)					V
I <sub>c</sub>	静态功耗 Current consumption	≤50+I <sub>out</sub>					mA
I <sub>ot</sub>	零点温漂 Thermal drift of I <sub>o</sub>	-40~+85°C		±0.5		mA	
F	带宽 Frequency bandwidth(-3dB)	DC~13					KHz
ε <sub>G</sub>	精度 Accuracy	±0.2					%
ε <sub>L</sub>	线性度 Linearity	±0.1					%

Tr	响应时间 Response time	$\leq 10$	$\mu S$
Vd	绝缘电压 Insulation voltage	50HZ, 1min 初级-次极 5.0	KV
Ta	工作温度 Ambient operating temperature	-40~+85	$^{\circ}C$
Ts	储存温度 Ambient storage temperature	-40~+125	$^{\circ}C$
M	重量 mass	400	g
	标准 Standards	EN50178\IEC61010-1\UL94-Vo\ROHS	

**机械参数 Dimensions (mm)**



## 使用说明 Remarks

- 1、 $I_p$ 加到+HT端时， $I_s$ 为正向输出；初级导体的温度不得超过 $100^{\circ}\text{C}$ 。  
( $I_s$  is positive when the  $I_p$  is applied to the terminal +HT. Temperature of the primary conductor should not exceed  $100^{\circ}\text{C}$ )
- 2、待测电压从传感器输入端接入，即可在输出端测得电压大小。（注意：错误的接线可能导致传感器损坏）  
(When the voltage will be measured goes through a sensor, the current will be measured at the output end. (Note:The false wiring may result in the damage of the sensor))
- 3、传感器的输入输出幅度可根据用户需要进行适当调节。  
( Adjust according to customer needs , Custom different rated input and the output of the sensor.)